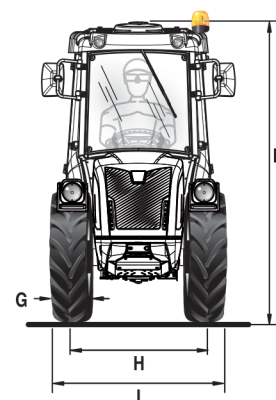
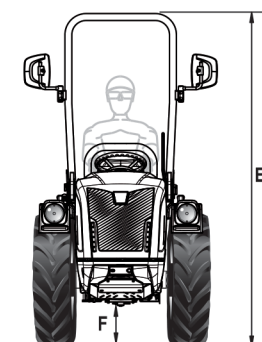
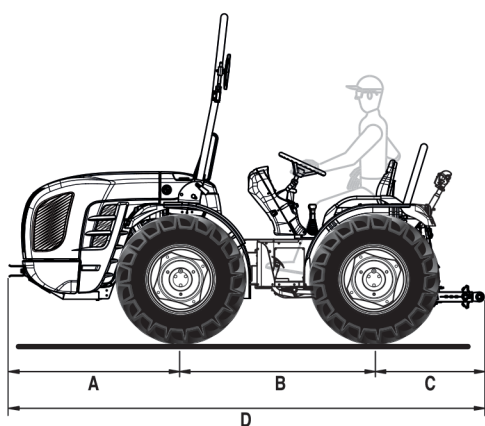




TECHNICAL FEATURES	COBRAM L65 AR	COBRAM L65 RS
<b>ENGINE</b>	Kohler KDI 1903 TCR	
Number of cylinders	3	
Displacement (cc)	1,861	
Aspiration	Turbo	
Fuel system	Direct injection "Common rail"	
Emission level	Tier 4 Final	
Power (kW/hp)	42 / 56	
Nominal speed (rpm)	2,600	
Maximum torque (Nm/rpm)	190 / 1,500	
Speed management	Electronically regulated from dashboard: increase and decrease of engine speed, memorize and recall a particular speed, or switch off the electronic throttle and go to the minimum idle speed	
Cooling	Water	
Tank capacity (gal/lt)	12.2 / 46	
<b>CHASSIS</b>	Swinging (up to 15°) integral chassis OS-Frame with central articulation	
<b>DRIVE</b>	Four-wheel drive, permanent	
<b>TRANSMISSION</b>	Synchronized gearbox: 24 speeds (12 forward and 12 reverse) with synchronized reverser	
Movement speed min/max (mph)	0.5 / 23	
Main clutch	Multidisc, in oil bath	
<b>DIFFERENTIAL</b>	Front and rear with simultaneous differential lock and electro-hydraulic control	
<b>AXLES</b>	Front and rear, with epicyclic reduction units	
<b>REAR POWER TAKE-OFF</b>	Independent from the gearbox, 540 rpm and synchronized with the gearbox. Engageable under load with brake in disengaged position	
PTO clutch	Multidisc, in oil bath	
Engagement control	Electro-hydraulic	
<b>HYDRAULIC SYSTEM</b>	Double circuit with independent pumps. Optional oversize pumps and heat exchanger	
Flow rate to the lift and to the control valves (lt/min)	25.5 (optional oversized pump with flow rate 33.5 lt/min)	
Priority flow rate to the hydroguide and to the electro-hydraulic controls (lt/min)	8.5	
Max hydraulic pressure (bar)	180	
<b>CONTROL VALVES</b>	Mechanical control	
Rear (standard)	For lift by rams: 1 double acting   For lift with draft and position control: 2 double acting	
Rear (optional)	For lift by rams (in addition to the standard ones): 1 single acting and 1 double acting with float or 2 double acting   For lift with draft and position control (replacing of the standard ones): 1 single acting, and 1 double acting with float	
Joystick (available as optional for reversible version only)	With electronic control, including 1 single acting control valve with adjustable flow and free return, 3 double acting control valves (replacing the standard ones), oversized pumps, and heat exchanger	
<b>REAR LIFT</b>	Standard: by two external rams. Optional: draft and position control	
Three-point hitches	Standard: standard couplers cat. 1. Optional: quick couplings cat. 1 or quick couplings cat. 1, L-shaped lift arms, lift rods adjustable in length and hooks adjustable in width	
Three-point tie bar	With manual adjustment	
Lifting capacity at the end of the arms (lbs)	3,329	
<b>ELECTRIC SYSTEM</b>	Battery 80 Ah - Alternator 100 A	
<b>DRIVING UNIT</b>	Monodirectional with half-platform or Reversible with suspended on silent-block rotating platform, and twin pedal assembly	
Seat	Standard: comfortable spring seat adjustable according to the driver's weight, safety belt, and 'man-on-board sensor'. Optional: 'Kab Seating' seat	
<b>SERVICE BRAKES</b>	Oil immersed multidisc, acting on the rear transmission, with mechanical control	
Parking brake	With handle, acting on the service brakes	
<b>STEERING</b>	With hydrostatic steering acting on the central articulation. Flow deviator for steering unit for the reversible version	With hydrostatic steering acting on the central articulation. Flow deviator for steering unit for the reversible version
<b>SAFETY</b>	Standard: front homologated roll-bar, with gas springs for an easy lowering and lifting	
<b>CABIN (available as optional for reversible version only)</b>	Homologated and sound-proof, with monocoque body fitted on silent-block device. Ventilation and heating system (Lusso version) or with air conditioning (Comfort version). Glass doors and porthole on rear side of sunroof. Beacon Lamp. Fabric covered seat instead of standard one. Active carbon filter as optional	
<b>CONSOLE</b>	Digital type with hour counter, water thermometer, and fuel level. Simultaneous reading of engine speed, forward speed, and PTO speed	
<b>TIRES (standard)</b>	8.25-16	
Optional	210/95-16 * 250/80-18 * 280/70R18 * 320/65R18 * 260/70-20 * 31x15.50-15 XTC and STG * 33x15.50-15 XTC	
<b>TOW HOOKS (standard)</b>	Drawbar	
Optional	Rear rotating or rear adjustable in height (Slider type) tow hooks, both EC approved or CUNA rear adjustable in height (Slider type)	
<b>WEIGHT OPERATIONAL</b>		
With roll-bar (lbs)	AR monodirectional: 3,495   AR reversible: 3,583	RS monodirectional: 3,572   RS reversible: 3,660
With cabin (lbs)	AR reversible: 3,902	RS reversible: 3,968
<b>OPTIONAL</b>	LED lights, front bumper, beacon lamp, front weight (220 lbs), and weights for wheels 18" (100 lbs each)	Accumulator for weight compensation with Dual Floating System (only for RS reversible version), LED lights, front bumper, beacon lamp, front weight (220 lbs) and weights for wheels 18" (100 lbs each)

# COBRAM L65

## AR | RS



A	B	C	D	E min / max (with roll-bar)	E min / max (with cabin)	F min / max
1216	1390	779	3385	2195 / 2270	2061 / 2106	207 / 266

8.25-16	210/95-16	250/80-18	280/70R18	320/65R18	260/70R20	31x15.50-15 XTC	31x15.50-15 STG	33x15.50-15 XTC
with adjustable rim	with adjustable rim	with adjustable rim	with adjustable rim	with adjustable rim	with adjustable rim	with fixed rim	with fixed rim	with fixed rim

	<b>G</b> Tire width (mm)	212	208	240	282	319	258	368	394	391	
<b>AR</b>	<b>H</b> Wheel track min/max (mm)	Mono	794 / 1110	794 / 1110	865 / 1107	869 / 1119	931 / 1119	846 / 1120	1003	1003	1003
		Rev	794 / 1110	827 / 1110	865 / 1107	931 / 1119	931 / 1119	902 / 1120	1003	1003	1003
<b>RS</b>	<b>I</b> Width min/max (mm)	Mono	1006 / 1322	1002 / 1322	1105 - 1347	1151 - 1401	1250 - 1438	1104 - 1378	1371	1397	1394
		Rev	1006 / 1322	1035 / 1322	1105 - 1347	1213 - 1401	1250 - 1438	1160 - 1378			
<b>RS</b>	<b>H</b> Wheel track min/max (mm)		999 / 1305	999 / 1305	996 / 1312	984 / 1324	1074 / 1324	987 / 1325	1100 / 1208	1100 / 1208	1100 / 1208
		<b>I</b> Width min/max (mm)		1211 / 1517	1207 / 1513	1236 / 1552	1266 / 1606	1393 / 1643	1245 / 1583	1468 / 1576	1494 / 1602

Note: All dimensions listed in mm.