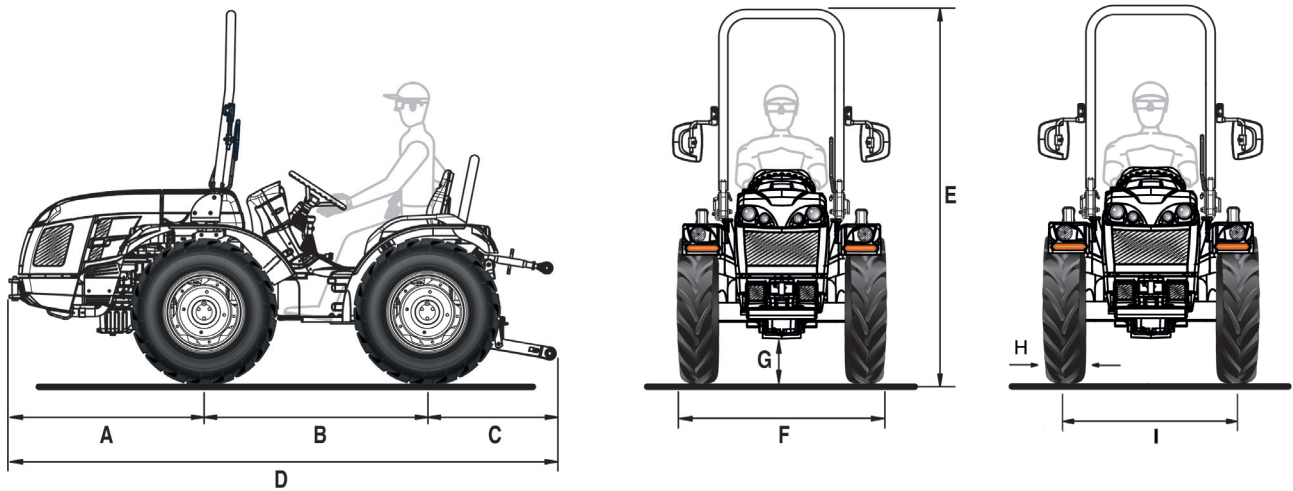


CROMO 35

RS Data Sheet



A	B	C	D	E max	F min/max	G min/max
985	1200	705	2890	1990	1069 / 1391	237 / 258

	6.50-16	210/95 R16 (7.50-16)	260/70 R16	240/70-15 Garden
	with adjustable rim	with adjustable rim	with adjustable rim	with fixed rim
H	183	209	258	253
I	886 / 1182	886 / 1182	944 / 1102	906 / 1082
F	1069 / 1365	1095 / 1391	1202 / 1360	1159 / 1335

H = Tyre width - I = Wheel track - F = Tractor width

Note: All dimensions listed in mm.

TECHNICAL FEATURES	CROMO 35 RS
ENGINE	Kubota D1105
No. of cylinders	3
Displacement (cc)	1,123
Intake	Natural
Emissions compliance	EPA Tier 4 final
Power (kW/HP)	18.5 / 25
Rated speed (rpm)	3000
Max torque (Nm/rpm)	71.5 / 2200
Cooling	Liquid
Tank capacity (gal/lt)	11.4 / 43
CHASSIS	Swinging integral chassis ($\pm 15^\circ$) OS-FRAME with steering wheels
DRIVE	Permanent four-wheel drive
TRANSMISSION	Gearbox with easy gear engagement: 8 FWD + 4 REV speeds
Min/max travel speed (mph)	0.8 / 17.4
Transmission clutch	Dry single disc
DIFFERENTIAL	Front and rear with simultaneous locking and mechanical control
REAR PTO	At 540 rpm and synchronised with forwarding speed
Engagement control	Mechanical
HYDRAULIC SYSTEM	
Flow rate to the hydroguide, lift and control valves (l/min)	16.5
Maximum hydraulic pressure (bar)	125
REAR CONTROL VALVES	Mechanically controlled
Standard	1 double-acting (total 2 hydraulic outlets)
Optional / Additional	1 single-acting (total 3 hydraulic outlets) or 1 double-acting (total 4 hydraulic outlets) or 1 double-acting with float (total 4 hydraulic outlets)
ELECTRIC SYSTEM	60 Ah / 12 V battery - 40 A alternator
REAR LIFT	Raising/lowering, by two external rams
3-point implement hitch	With normal couplings cat. 1
Third point tie rod	With manual adjustment
Ball joint lifting capacity (lbs)	2,095
DRIVING POSITION	With semi-platform
Steering wheel	Standard: fixed - Optional: height adjustable
Seat	With safety belt and man-on-board sensor. Comfort seat with longitudinal, height and spring adjustment according to the operator's weight
SERVICE BRAKES	Drum brakes acting on rear wheels. Independent manoeuvring brakes acting on the rear wheels
Parking brake	Acting on service brakes
STEERING	Hydrostatic steering acting on the front wheels
SAFETY	Front homologated roll-bar with gas spring for easy lowering and lifting
DASHBOARD	With analogue instrumentation complete with operating hours indicator, engine rpm, forwarding speed, and warning lights
TYRES	6.50-16 * 210/95R16 (7.50-16) * 260/70R16 * 240/70-15 Garden
TOW HOOKS (standard)	Front - Rear CUNA cat. B adjustable in height
Optional	Rear EC approved
RUNNING ORDER WEIGHT with roll-bar (lbs)	2,337
ADDITIONAL OPTIONS	Independent from gearbox rear PTO at 540 rpm (with electro-hydraulic control and multi-disc oil bath clutch) and synchronised with forwarding speed, rear working light, beacon lamp, wheel weights (88 lbs each).